



GEZE TS 1500
OVERHEAD DOOR CLOSERS WITH LINK ARM

GEZE TS 1500

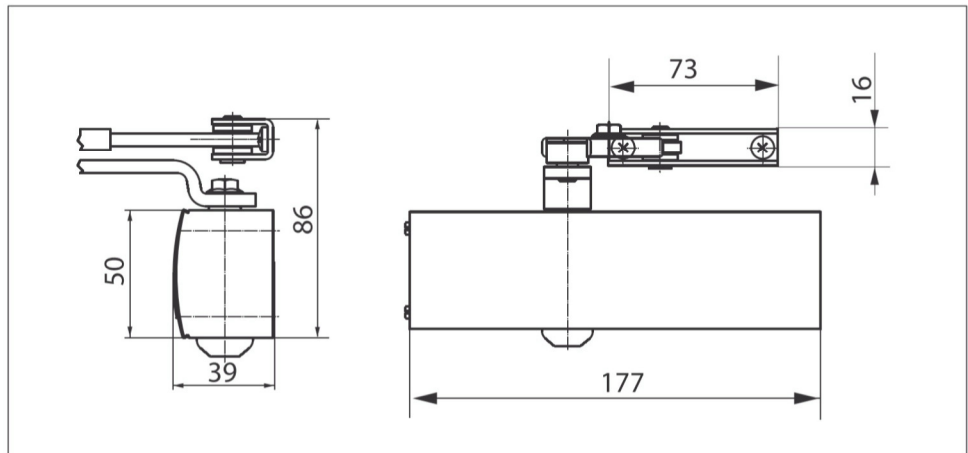
Link arm door closer for single-leaf doors with a leaf width up to 1100 mm

TS 1500 overhead door closer is suitable for single-leaf doors with a leaf width up to 1100 mm. The closing speed and hydraulic latching action can be adjusted. There are two different closing force settings, which can be selected simply by turning the bearing block for the link arm: 'Weak' closing force (size 3 acc. to EN 1154) for door leaf widths up to 950 mm and "strong" closing force (size 4 acc. to EN 1154) for door leaf widths up to 1100 mm. The door closer is available with an optional mounting plate. This makes it suitable for left and right single-action doors without the need for conversion.

Special version:

- GEZE TS 1500 with hold-open linkage featuring adjustable hold-open angle of between 70° and 150°

GEZE TS 1500



Application range

- For internal doors
- For single-action doors, leaf width up to 1100 mm
- Compatible with left-hand and right-hand doors without the need for conversion
- Standard mounting on door leaf, hinge side; transom mounting on opposite hinge side also possible

Closer specifications

Product features	GEZE TS 1500 closer
Closing force to EN 1154	3/4
Leaf width recommended up to	1100 mm
Identical version DIN-L and DIN-R	●
Product tested in acc. with	Door closer tested in acc. with EN 1154
Length	177 mm
Installation depth	39 mm
Height	50 mm
Functions	
Adjustable closing force	● Via mounting
Adjustable closing speed	●
Adjustable latching action	● Via valve
Integrated back check	○
Closing force adjustment position	Mounting position

● = yes

○ = no